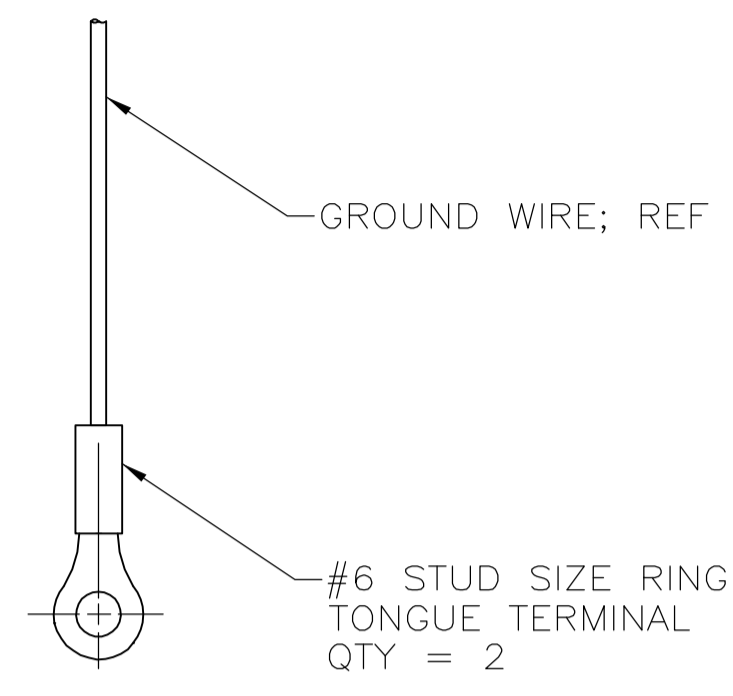


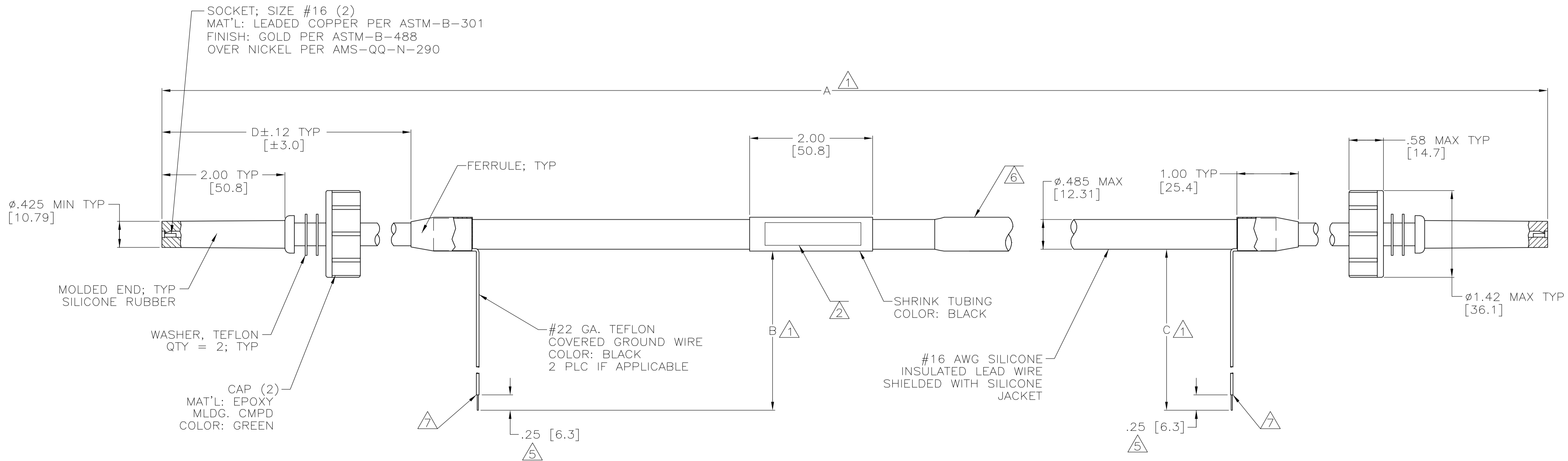
| LOC | | DIST | | REVISIONS | | | |
|-----|----|------|---------|-----------|-----|-------|------|
| DF | SO | REV | DATE | BY | CHK | APP'D | DATE |
| | | Z | 31JAN06 | PY | DE | | |

| PART NO. | A | B | C | D | REMARKS |
|------------|-------------------|---------------|---------------|------|------------|
| 846950-1 | 1200.00 [30480.0] | 12.00 [304.8] | 12.00 [304.8] | 4.00 | △ OBSOLETE |
| 846950-2 | 480.00 [12192.0] | 12.00 [304.8] | 12.00 [304.8] | 4.00 | △ OBSOLETE |
| 846950-3 | 180.00 [4572.0] | 12.00 [304.8] | 12.00 [304.8] | 4.00 | △ OBSOLETE |
| 846950-4 | 60.00 [1524.0] | 12.00 [304.8] | 12.00 [304.8] | 4.00 | △ OBSOLETE |
| 846950-5 | 192.00 [4876.8] | 12.00 [304.8] | 12.00 [304.8] | 4.00 | △ OBSOLETE |
| 846950-6 | 12.00 [304.8] | 12.00 [304.8] | 12.00 [304.8] | 2.62 | △ |
| 846950-7 | 12.00 [304.8] | 24.00 [609.6] | 24.00 [609.6] | 2.75 | △ |
| 846950-8 | 108.00 [2743.2] | 12.00 [304.8] | 12.00 [304.8] | 4.00 | △ |
| 846950-9 | 108.00 [2743.2] | 12.00 [304.8] | - | 4.00 | △ OBSOLETE |
| 1-846950-0 | 48.00 [1219.2] | 12.00 [304.8] | 12.00 [304.8] | 4.00 | △ |
| 1-846950-1 | 10.00 [254.0] | 12.00 [304.8] | - | 3.00 | △ OBSOLETE |
| 1-846950-2 | 15.00 [381.0] | 12.00 [304.8] | - | 3.00 | △ OBSOLETE |
| 1-846950-3 | 24.00 [609.6] | 12.00 [304.8] | - | 3.00 | △ OBSOLETE |
| 1-846950-4 | 96.00 [2438.4] | 12.00 [304.8] | 12.00 [304.8] | 3.00 | △ |
| 1-846950-5 | 70.00 [1778.0] | 12.00 [304.8] | 12.00 [304.8] | 4.00 | △ |
| 1-846950-6 | 32.50 [825.5] | 6.00 [152.4] | 6.00 [152.4] | 4.00 | △ OBSOLETE |
| 1-846950-7 | 50.00 [1270.0] | 12.00 [304.8] | 12.00 [304.8] | 4.00 | △ |
| 1-846950-8 | 20.00 [508.0] | 12.00 [304.8] | 12.00 [304.8] | 4.00 | △ |
| 1-846950-9 | 30.00 [762.0] | 12.00 [304.8] | - | 4.00 | △ |
| 2-846950-0 | 79.00 [2006.6] | 12.00 [304.8] | 12.00 [304.8] | 6.00 | △ |
| 2-846950-1 | 300.00 [7620.0] | 12.00 [304.8] | 12.00 [304.8] | 4.00 | △ OBSOLETE |
| 2-846950-2 | 348.00 [8839.2] | 12.00 [304.8] | 12.00 [304.8] | 4.00 | △ |
| 2-846950-3 | 17.00 [431.8] | 12.00 [304.8] | 12.00 [304.8] | 4.00 | △ |
| 2-846950-4 | 26.00 [660.4] | 12.00 [304.8] | 12.00 [304.8] | 4.00 | △ OBSOLETE |
| 2-846950-5 | 14.00 [355.6] | 12.00 [304.8] | 12.00 [304.8] | 3.00 | △ |
| 2-846950-6 | 216.50 [5500.1] | 12.00 [304.8] | 12.00 [304.8] | 4.00 | △ |
| 5-846950-8 | 108.00 [2743.2] | 12.00 [304.8] | 12.00 [304.8] | 4.00 | △ |
| 6-846950-0 | 48.00 [1219.2] | 12.00 [304.8] | 12.00 [304.8] | 4.00 | △ |
| 6-846950-8 | 20.00 [508.0] | 12.00 [304.8] | 12.00 [304.8] | 4.00 | △ |
| 7-846950-0 | 79.00 [2006.6] | 12.00 [304.8] | 12.00 [304.8] | 6.00 | △ |



846950-6 ONLY
SCALE 2:1

- △1 TOLERANCE OF LEAD LENGTH:
UP TO 24 INCHES [609.6] = ±.12 [±3.0]
24 INCHES [609.6] & UP = ±1%
- △2 MARKED PER MIL-STD-130.
- 3. TO MATE WITH AMP LGH-4 RECEPTACLE WITH 2.00 [50.8] BARREL DEPTH.
- 4. OPERATING VOLTAGE: 50 KVDC AT 0 TO 70,000 FEET, -55°C TO 125°C.
- △5 WHERE APPLICABLE PIGTAIL IS SOLDER DIPPED.
- △6 FOR LEAD ASSY'S THAT REQUIRE MORE THAN ONE PIECE OF SILICONE TUBING A 2.00" MAX OVERLAP IS PERMISSABLE.
- △7 INSULATION CUT, BUT NOT REMOVED.



| | | | | |
|---|--|---|---------------------------------|---|
| THIS DRAWING IS A CONTROLLED DOCUMENT. | | DIN C.C.THOMAS 28-MAR-90 | tyco Electronics | Tyco Electronics Corporation Harrisburg, Pa 17105-3608 |
| DIMENSIONS: INCHES (mm) | | CHK D.OPLINGER 09-APR-90 | AP'D D.OPLINGER 09-APR-90 | NAME LEAD ASSY, DOUBLE MOLDED ENDS SHIELDED AND SILICONE COVERED LGH-4 |
| TOLERANCES UNLESS OTHERWISE SPECIFIED: 0 PLC ± - 1 PLC ± - 2 PLC ± .02 [0.5] 3 PLC ± - 4 PLC ± - ANGLES ± - | | PRODUCT SPEC APPLICATION SPEC RESTRICTED TO | | |
| MATERIAL SECC ALLOUTS FINISH SEE CALLOUTS | | WEIGHT - | SIZE A1 | CAGE CODE 00779 |
| CUSTOMER DRAWING | | DRAWING NO 846950 | SCALE 1:1 | SHEET 1 OF 1 |